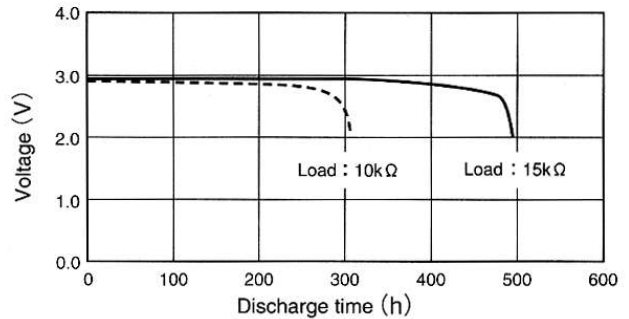


Data Sheet

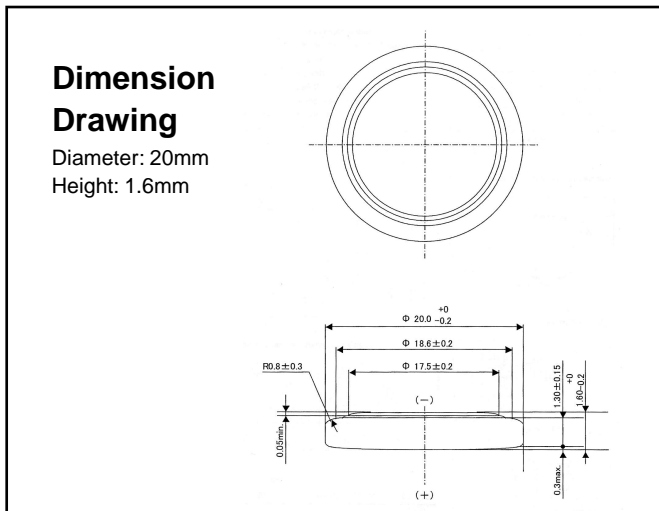
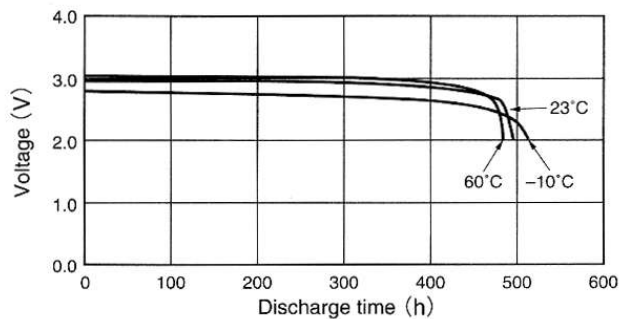
Model No.: CR2016

Description : Flat Lithium Battery
Chemical system : Lithium Manganese Dioxide
Nominal voltage : 3 Volts
Nominal capacity : 90mAh
Dimensions : $\varnothing 20.0 \times 1.6\text{mm}$
Shelf life : 5 years at room temperature
Average weight : 1.7 grams
Applications : Computer memory back up, photo

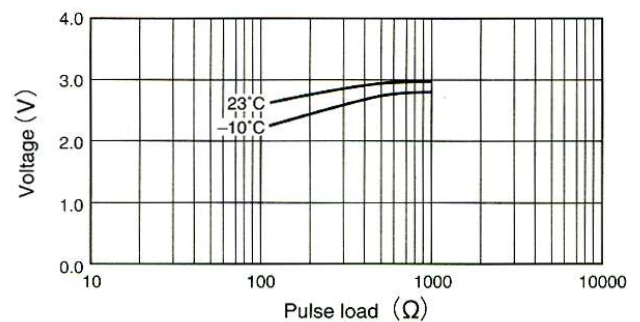
Discharge Characteristics on Load



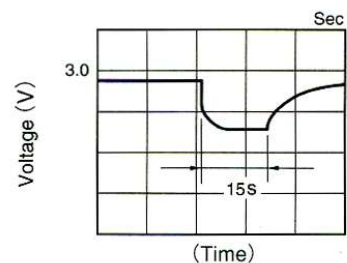
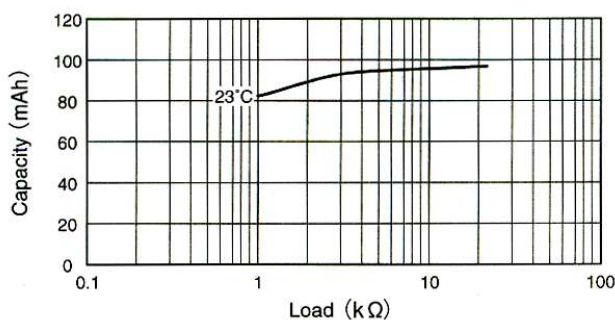
Discharge Characteristics on Temperature



Discharge Characteristics on Pulse Load



Discharge Load vs. Discharge Capacity



Cross References:

IEC	JIS	Eveready	Varta	Duracell
CR2016	CR2016	ECR2016	CR2016	DL2016