

GP Batteries



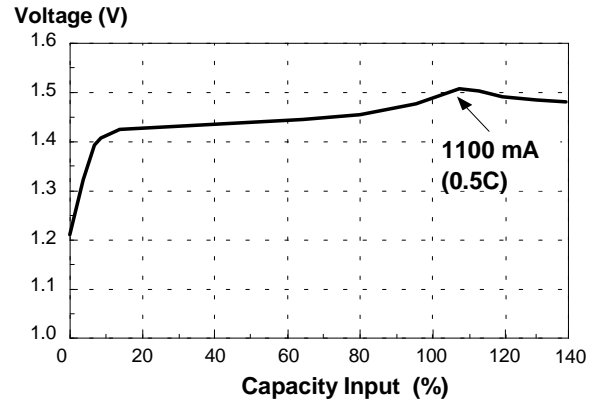
<https://www.mega-piles.com/>

Data Sheet

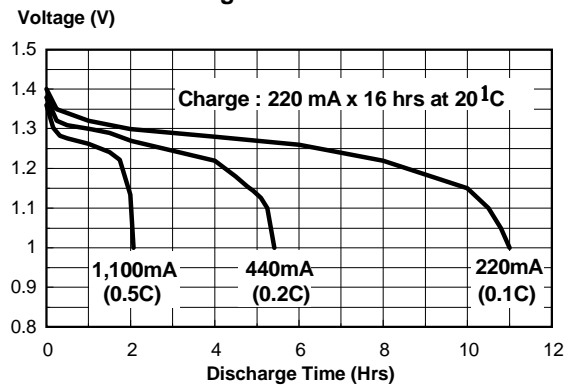
Model No.: GP220DH

Type	: Rechargeable Nickel Metal Hydride Cylindrical Cell	
Nominal Dimension (with Sleeve)	: $\varnothing = 34.2\text{mm}$ H = 61.5mm	
Application	: Recommended discharge current 220mA to 6600mA	
Nominal Voltage	: 1.2V	
Nominal Capacity	: Minimum : 2150mAh Typical : 2200mAh when discharged at 440mA to 1.0V at 20°C	
Charging Condition	: 220mA for 16 hrs at 20°C	
Fast Charge	: 1100mA (0.5C) with charge termination control. Recommended control parameter :	
	- ΔV	: 0-5mV
	dT/dt	: 0.8°C/min (0.5C)
	TCO	: 45-50°C
	Timer	: 105% nominal input (Secondary)
Service Life	: > 500 cycles (IEC standard) Up to 1000 cycles (not less than 60% of nominal at 0.1C charge / 0.2C discharge)	
Continuous Overcharge	: 220mA maximum current No conspicuous deformation and/or leakage	
Weight	: 71.0g	
Internal Resistance	: Average 45m Ω upon fully charged (Range : 35-55m Ω) at 1000Hz	
Max. Charging Voltage	: 1.5V at 220mA charging	
Ambient Temperature Range	Standard Charging	: 0°C to 40°C
	Fast Charging	: 10°C to 40°C
	Discharging	: -20°C to 50°C
	Storage	: -20°C to 35°C
	Storage (1 week)	: -20°C to 60°C

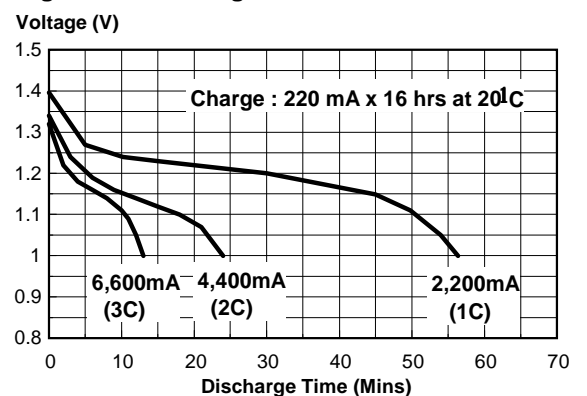
Fast Charge (Charge Control required)



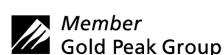
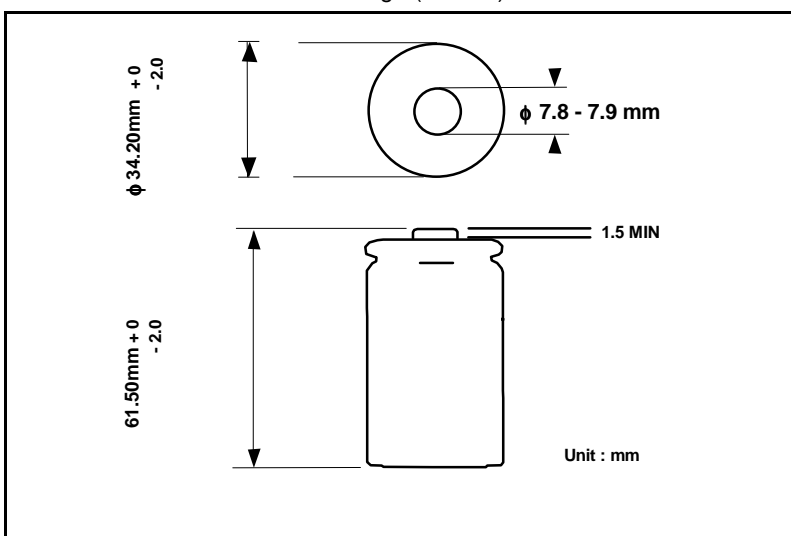
Low Rate Discharge



High Rate Discharge



* The information (subject to change without prior notice) contained in this document is for reference only and should not be used as a basis for product guarantee or warranty. For application other than those described here, please consult GP Sales and Marketing Office or Distributors.



Manufacturer reserves the right to alter or amend the design, model and specification without prior notice.

ZRS1012 Rev.01