



<https://www.mega-piles.com/>



LR03 Standard

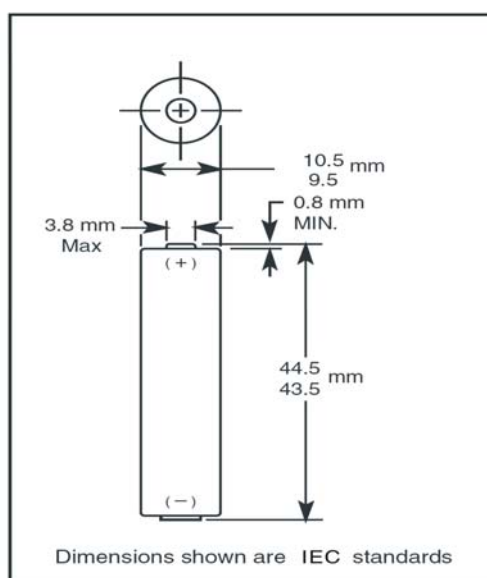
Product specifications for cylindrical
alkaline battery

LR03 Standard

1. Battery Identification

Name	S/ LR03/ AM4/ AAA/ MN2400
Type	alkaline
Nominal Voltage	1.5V
Electrolyte	KOH (potassium hydroxide)
Average Weight	11g

2. Battery Dimensions



3. Battery Performance

Typical Discharge Values

TEST	RESISTANCE	DAILY PERIOD	END POINT	TYPICAL
Radio	75 ohm	4h	0.9V	69 h
Recorder	10 ohm	1h	0.9V	7.8 h
LIF	5.1 ohm	4min/h-8h/day	0.9V	235 min
Remote control	24 ohm	15s/min-8h/day	1V	19.5 h
Photoflash	600mA	10s/min-1h/day	0.9V	290 pulses

LR03 Standard

4. Material Safety Data Sheet

Item	Material	%
Total Weight		11.50
Cathode	MnO ₂ , C	42%
Anode	Zn	22%
Separator	Paper	1%
Current Collector	Brass	3%
Electrolyte	KOH, H ₂ O	7%
Steel Can	Ni plated steel	19%
Bottom Plate	Ni plated steel	1%
Washer	Steel	3%
Gasket	Plastic	1%
Label	PET	1%

Mercury (Hg) < 1ppm, Cadmium (Cd) < 20ppm, Lead (Pb) < 40ppm