

# DURACELL®


## MEGA-PILES

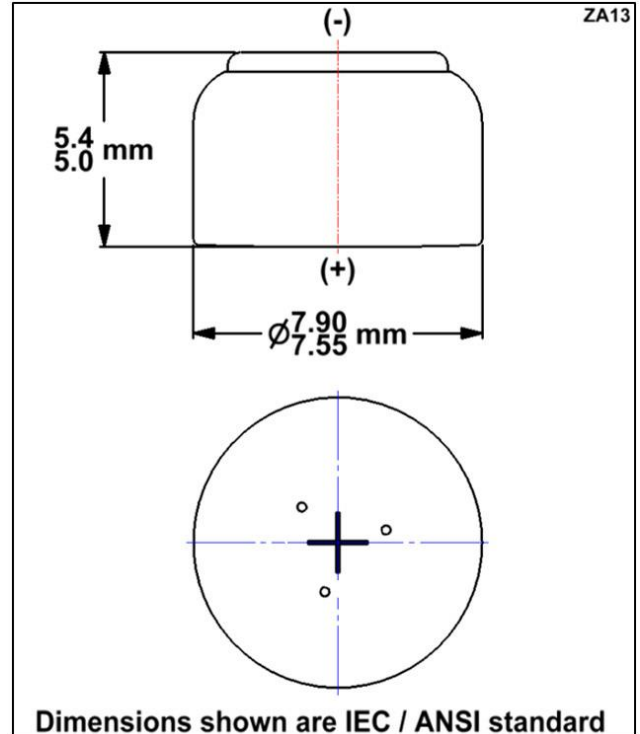
<https://www.mega-piles.com/>

# Size: 13

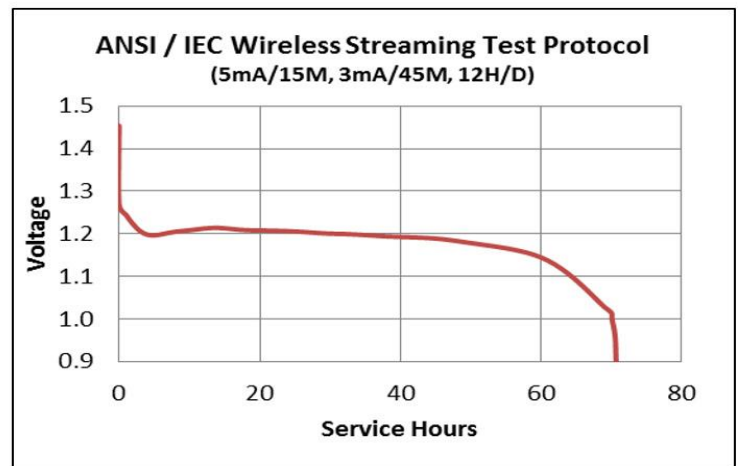
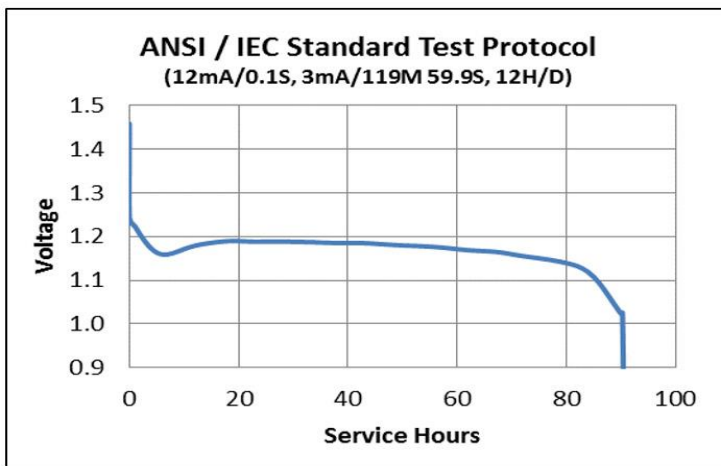
Zinc Air Battery – 0% Mercury

Zn/O<sub>2</sub>

	
Nominal Voltage	1.45 V
Rated Capacity	300 mAh at 1500 ohm to 1.1 V @ 21°C and 50% RH
Typical Impedance (Fresh)	4.5 ohm @ 1kHz
Typical Weight	0.83 g (0.029 oz)
Volume	0.26 cm <sup>3</sup> (0.016 in <sup>3</sup> )
Terminals	Flat
Operating Temperature Range	0°C to 50°C (32°F to 122°F)
Recommended Storage Temperature	5°C to 30°C with 40-80% RH
Shelf Life	4 years unactivated @ 21°C
Designation	ANSI: 7000Z IEC: PR48



### Typical Discharge Characteristics at 21°C (70°F) and 50% RH



# DURACELL®

BATTERIES

Berkshire Corporate Park  
Bethel, CT. 06801 U.S.A.  
Telephone: Toll-free 1-800-544-5454  
[www.duracell.com](http://www.duracell.com)

Delivered capacity is dependent on the applied load, operating temperature and cut-off voltage. Please refer to the charts and discharge data shown for examples of the energy/service life that the battery will provide for various load conditions.

This data is subject to change. Performance information is typical. Contact Duracell for the latest information.

ZA130217