



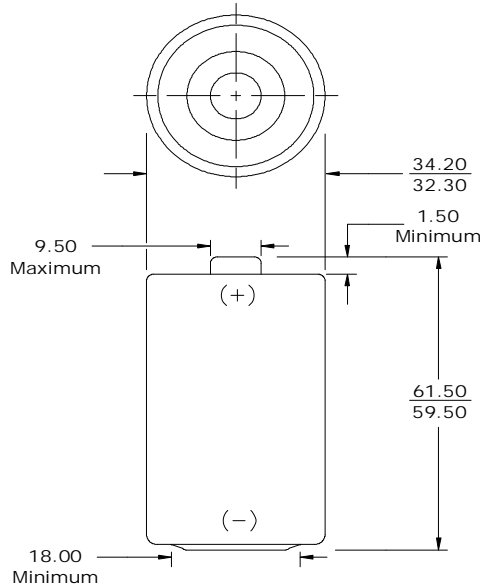
<https://www.mega-piles.com/>

Eveready Silver D (R20)

D



Industry Standard Dimensions (millimeters)



Specifications

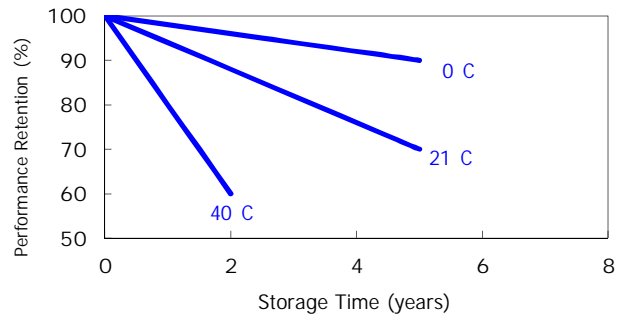
Classification: "Carbon Zinc" (Zinc Chloride)
 Chemical System: Zinc-Manganese Dioxide (Zn/MnO₂)
 No Added Mercury or Cadmium
 Designation: IEC-R20
 Nominal Voltage: 1.5 volts
 Typical Capacity: 7,200 mAh* (to 0.8 volts)
 Capacity Test: 25 mA continuous drain (21°C)

* Varies according to the applied load, temperature, and cutoff voltage.

Operating Temp: -18°C to 55°C
 Typical Weight: 89 grams
 Typical Volume: 53 cubic centimeters
 Jacket: Metal

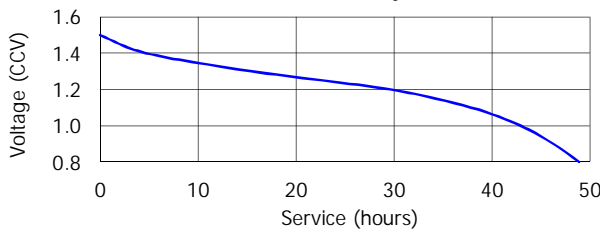
Storage/Capacity Characteristics

Effects of Storage at Various Temperatures

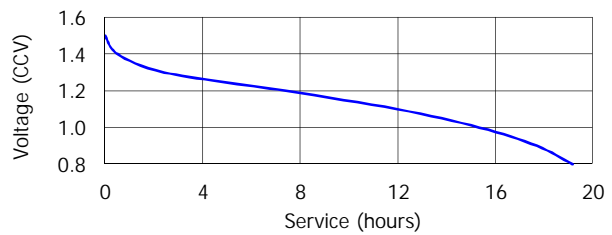


Industry Standard Tests (21°C)

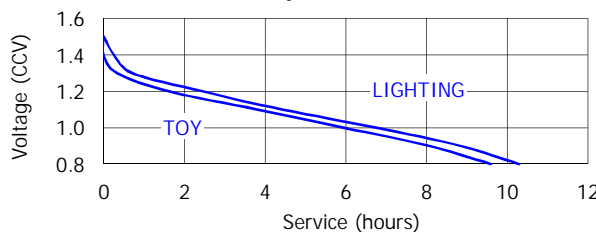
RADIO
10 ohm 4 hrs/day



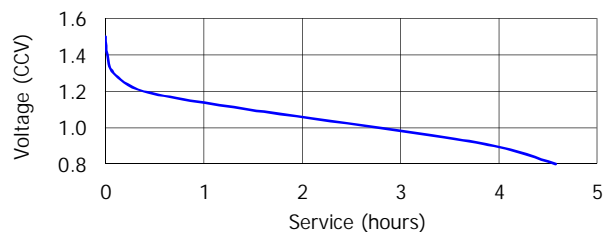
TAPE PLAYER
3.9 ohm 1 hr/day



TOY 2.2 ohm 1 hr/day LIGHTING 2.2 ohm LIF



LIGHTING 1.5 ohm HIF



Important Notice

This datasheet contains information specific to battery chargers manufactured at the time of its publication.
 ©Energizer Holdings, Inc. - Contents herein do not constitute a warranty.