

Datasheet LSA-19000D

Primary Lithium battery 3.6V / 19Ah

Type: LSA-19000D / 034000307

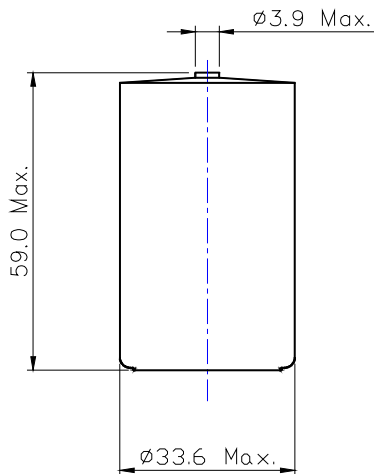
IEC: D/ER32L615

System: Lithium Thionyl Chloride LiSoCl₂ - Bobbin

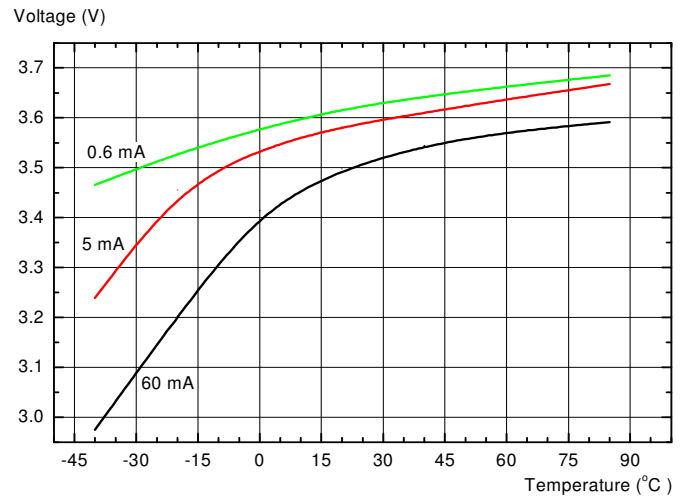
| Issued | Checked | Approved |
|------------------|---------|----------------|
| S.Ménières PM | | P.Blanc CTO |

| Specifications (Typical values for cells stored for one year at 20°C) | |
|--|---|
| Nominal capacity (NC) | 19 Ah (at a discharge current of 5mA, T° 20°C cut-Off voltage at 2.0 V) |
| Nominal open circuit Voltage | 3.67 V |
| Max continuous current | 230 mA |
| Max pulse current | 500 mA (0.1s drained every 3 minutes at 20°C) Yield voltage readings above 3.0 V. The readings may vary according to the previous story of the cell, temperature and pulse form. An assistance with capacitor may be advised, please consult Leclanché for product design. |
| Operating Temp | -55°C to +85°C |
| Weight | 93.5 g |
| Volume | 51 cm ³ |
| Diameter | 33.6 mm max |
| Height | 59 mm max |
| Lithium metal content | Approx. 5g |
| UN Class | 9 |
| General characteristics | |
| Hermetic glass-to-metal sealing | |
| Low self-discharge rate | < 2% per year at room temperature |
| Long shelf life | over 10 years (without load at room temperature of 20°C) |
| High energy density | up to 700 Wh/Kg |
| Non flammable inorganic electrolyte | |
| High and stable operating voltage | |
| UL approval and ISO 9001 certified company | |
| Broad temperature range | -55°C to +85°C |

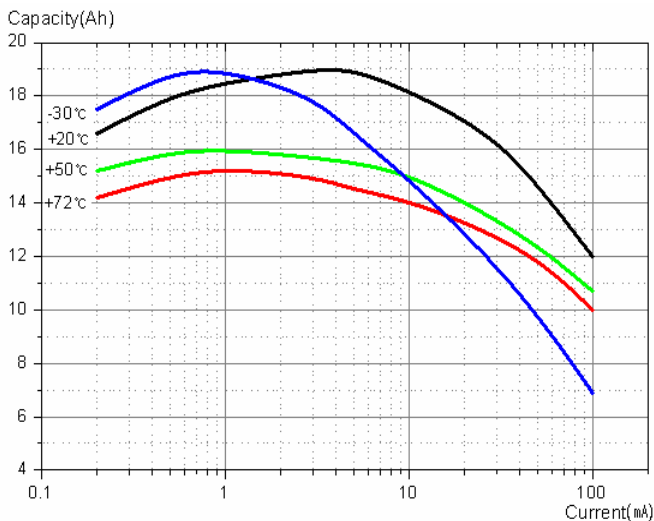
Dimensions in mm



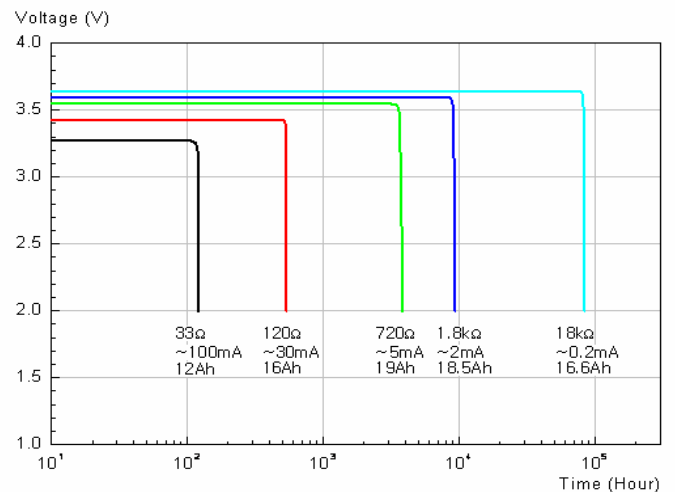
Operating voltage



Capacity vs Current



Discharge characteristics at 20 °C



Warning

- Fire and explosion and severe burn hazard
- Do not recharge or short circuit
- Do not crush, disassemble, heat above 150°C (262°F)
- Do not incinerate or expose contents water
- Dispose of used battery promptly
- Do not solder directly to cell, use terminals
- Cell should be stored in a clean, cool (+25°C max), dry and ventilated place.

Important information:

This datasheet contains typical information specific to products manufactured at the time of its publication and does not constitute a guarantee or warranty with respect to any cells and batteries. Cell/Battery performance and service life depend on the operating temperature, storage conditions, cut-off voltage and load applied in a specific application. It is the responsibility of each user to ensure that each application is adequately designed in terms of safety and usage conditions and is in conformance with existing standards and requirements. All specifications are subject to change without notice.