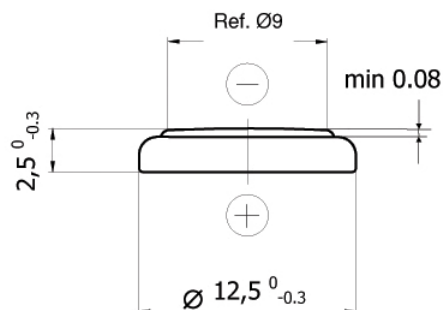


Specifications

Chemical System	Li / MnO ₂
Nominal Voltage	3 V
Rated Capacity	48 mAh
Standard Discharge Current	0.1 mA
Max. Cont. Discharge Current	1.0 mA
Average Weight	0.9 g
Operating Temperature*	-40 - +85 °C
Self Discharge at 23 °C	< 1% / year

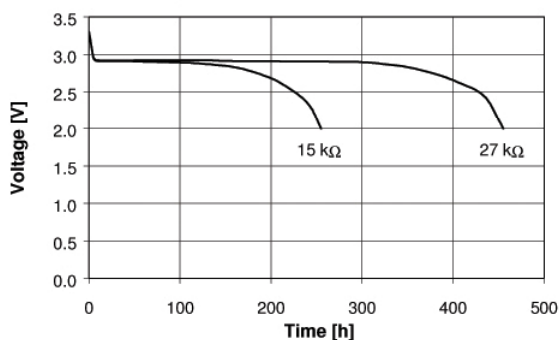
Dimensions

(According to IEC 60086)

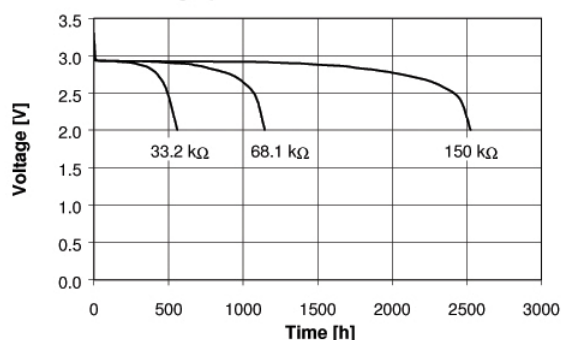


Performance

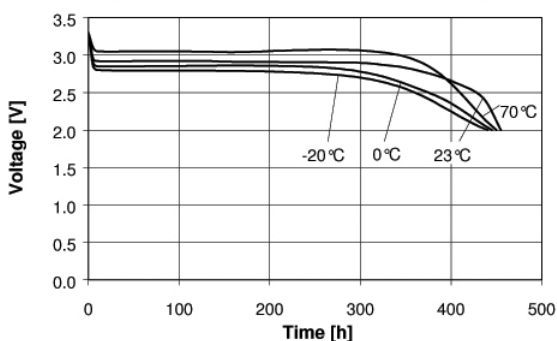
Discharge performance at 23 °C



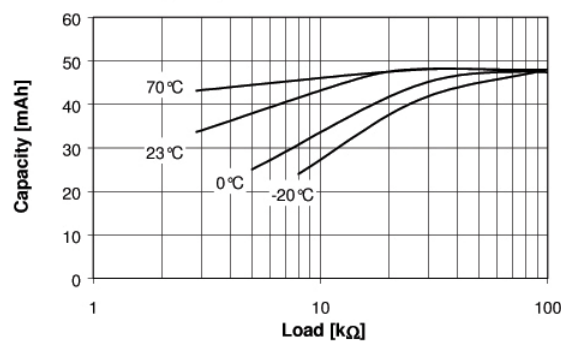
Discharge performance at 23 °C



Temperature performance Load 27kΩ



Cell capacity at various loads



No publication or circulation of data to third parties without consent of VARTA Consumer Batteries